



SAFE-T DUAL QC ROTARY STEERING

FEATURES

- Standard 3/4" round tapered steering shaft
- Add optional tilt helm, requires separate tilt mechanism SH91800 or SH91900 for complete installation
- Stainless steel cable output ends
- Meets A.B.Y.C. standards
- Meets N.M.M.A. certification requirements
- Fast, easy installation: uses simple snap-in cable connection, SeaStar Solutions Quick Connect (QC) cable, and industry-standard Safe-T mounting hardware

ORDER INFORMATION

| SERVICE ITEMS | PART NO. |
|--|----------|
| QC cable | SSC62XX |
| Steering Wheel Hardware Kit (Old Par No. 2745417P) | SA27454P |
| Spent Travel Tube | SA38603P |
| Hitch Pin for Quick Connect Helms (Old Par No. 2724514P) | SA27245P |

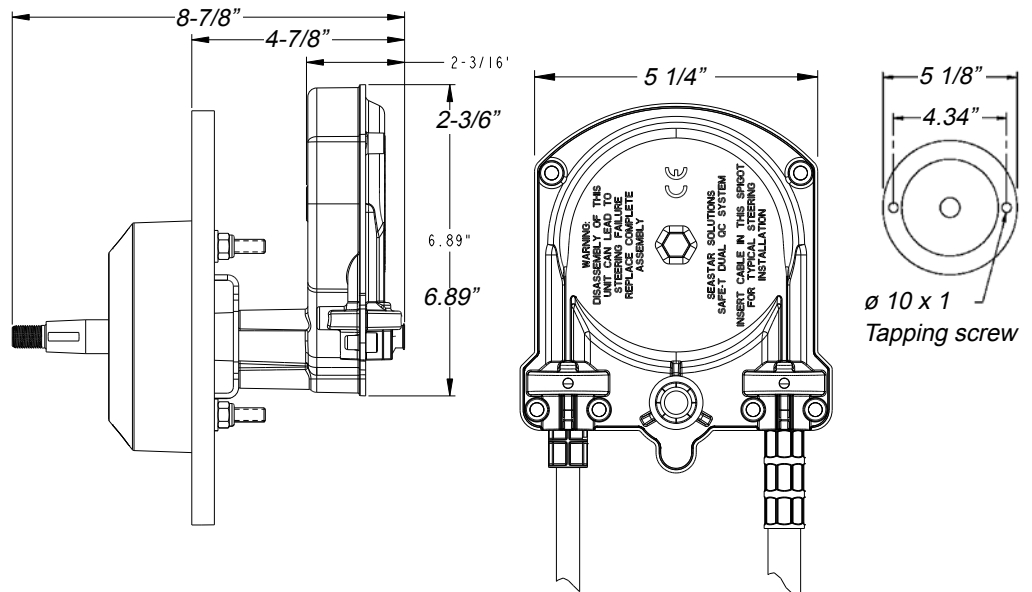
XX = Length in feet

* Requires tilt mechanism to complete Tilt Steering system installation.

† For dual cable. If steering is NOT power-assisted, upgrading to NFB 4.2 Dual Cable is recommended.

DISCLAIMER: This system is only recommended as replacement for the original system as installed by the boat manufacturer. SeaStar Solutions always recommends NFB helms for outboard applications. NFB helms lock out steering loads caused by propeller torque eliminating the driver fatigue normally experienced with a standard helm. Patented SeaStar Solutions steering helms are a drop in replacement for Safe-T systems.

TECHNICAL DATA



Issue Date - Nov 2014

Issue Number - ms10



Learn More



www.seastarsolutions.com

